

G2007 3/4 Extension Slide (Bracket Mount)

Max load 20 kg · Bracket mount · Friction / brake · Detachable

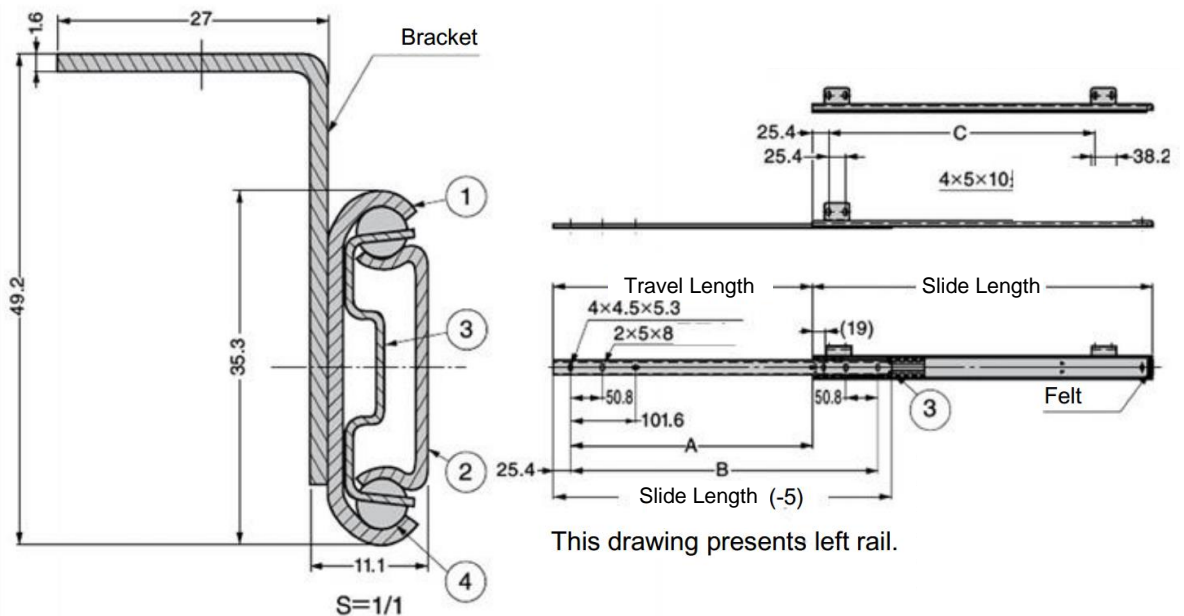
Features

- 3/4 extension, 2 members slide
- Drawer can be stopped at any position due to resistance of the ball retainer
- Drawer can be detached by pulling outward
- Bracket attached for installation behind the upper panel
- Bracket faces outside of the drawer



Recommended Screws

- M4 binding or M4 truss screw



| No. | Part Name | Material | Finish/Colour |
|-----|--------------|--------------|------------------------------------|
| ① | Outer Member | Steel(SPCC) | Clear Zinc Chromate (Trivalent) |
| ② | Inner Member | | |
| ③ | Retainer | Steel (SECC) | (Zinc Plating) |
| ④ | Steel Balls | Steel(SWCH) | - |

Sold by pair

| Part No. | Slide Length | Travel Length | A | B | C | Load Capacity (per pair) | |
|----------|--------------|---------------|-------|-------|-------|-----------------------------|-------|
| G2007-12 | 304.8 | 229 | 151.2 | 252.8 | 215.9 | 196 N | 20 kg |
| G2007-14 | 355.6 | 279 | 202 | 303.6 | | | |
| G2007-16 | 406.4 | 305 | 252.8 | 354.4 | | | |
| G2007-18 | 457.2 | 330 | 303.6 | 405.2 | | | |
| G2007-20 | 508 | 381 | 354.4 | 456 | | | |
| G2007-22 | 558.8 | 479 | 405.2 | 506.4 | 419.1 | | |